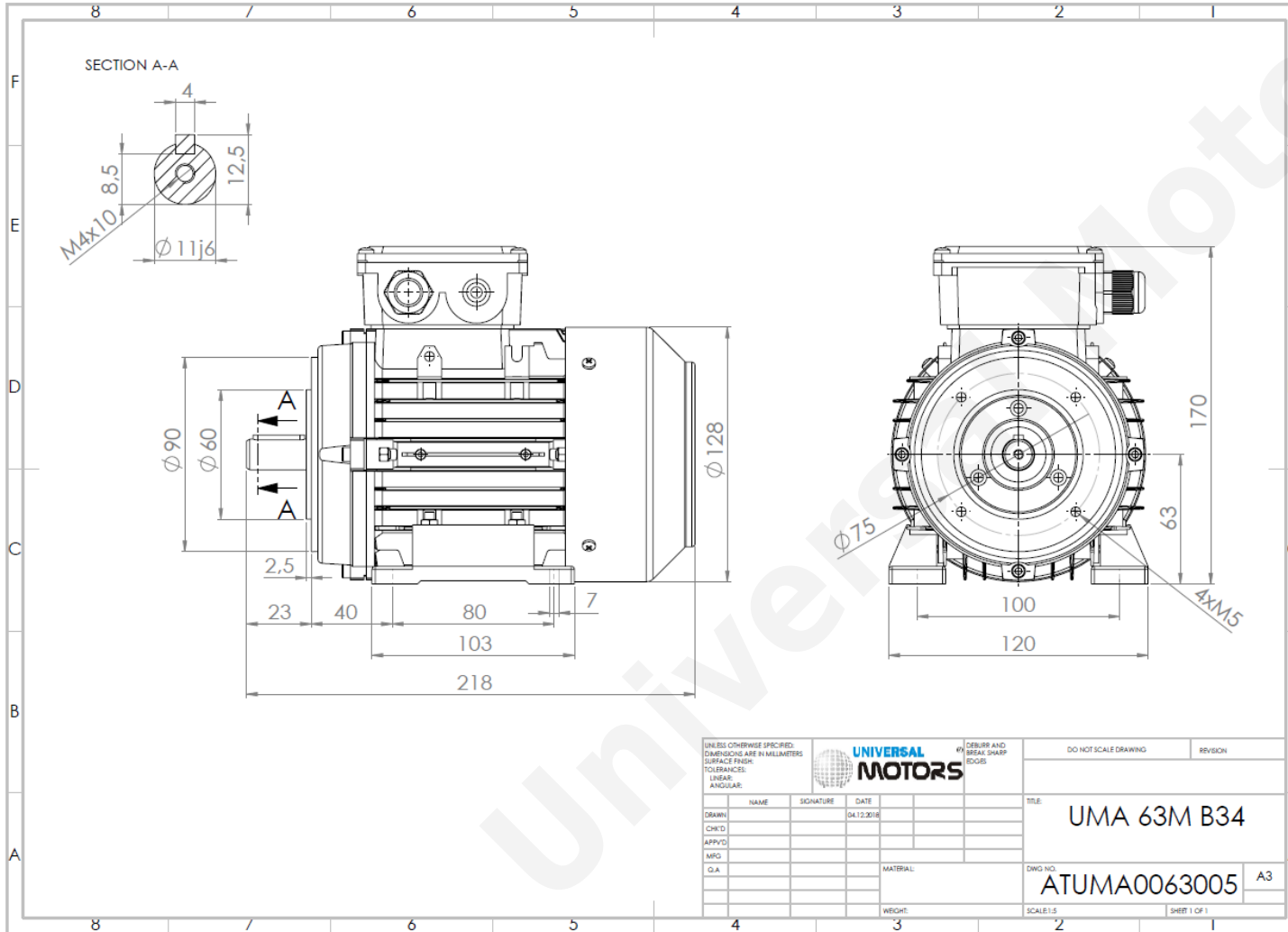




# TECHNICAL DATA

Three Phase Electric Motors - Aluminum Frame  
 UM2A 63M2-6  
 0.12 kW / 0.16 Cv  
 850 RPM



|                             |                          |
|-----------------------------|--------------------------|
| Motor type:                 | <b>UM2A 63M2-6</b>       |
| Output:                     | <b>0.12 kW / 0.16 Cv</b> |
| Speed (min <sup>-1</sup> ): | <b>850 RPM</b>           |
| Frequency:                  | <b>50 Hz</b>             |
| Voltage:                    | <b>400 V</b>             |
| Current:                    | <b>0.51 A</b>            |
| Power factor (Cos Ø):       | <b>0.67</b>              |
| Poles:                      | <b>6</b>                 |
| Insulation class:           | <b>F</b>                 |
| Temperature rise Class:     | <b>B</b>                 |
| Efficiency 50%:             | <b>42.4 %</b>            |
| Efficiency 75%:             | <b>50.2 %</b>            |
| Efficiency 100%:            | <b>50.6 %</b>            |
| Torque:                     | <b>1.35 N.m</b>          |
| Tstarting/Tnominal:         | <b>1.8</b>               |
| Istarting/Inominal:         | <b>2.7</b>               |
| Tmaximum/Tnominal:          | <b>2.0</b>               |
| Noise:                      | <b>50 Db(A)</b>          |
| Weight:                     | <b>4.5 Kg</b>            |
| Bearing DE:                 | <b>6201 2Z</b>           |
| Bearing NDE:                | <b>6201 2Z</b>           |

Regime - S1

Altitude - 1000m

Environment Temperature - 40°C

## CONTACTS:

UNIVERSAL MOTORS Tel: +351 252 299 080  
 Rua de São Brás,745 Fax: +351 252 299 089  
 4480-782 VILA DO CONDE Mail: [geral@universalmotors.pt](mailto:geral@universalmotors.pt)

\* References applied only in the UK